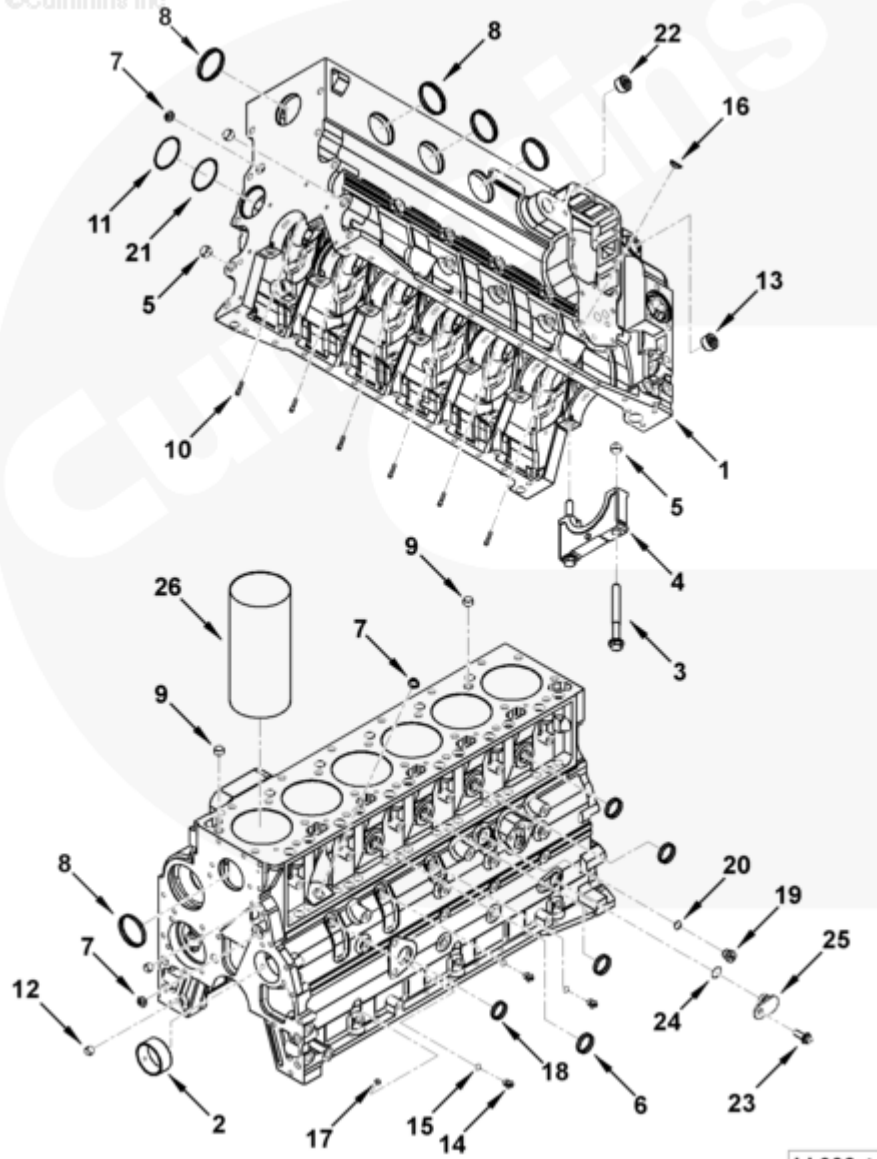




Parts Catalog - Option Detail

Electronic Parts Catalog - Option Detail				
Option	Group	Graphic	Film Card	Date
BP97149-12	01.01	bb902zt	T	07-AUG-06
Engines	4B3.9, 6A3.4, 6B5.9, B GAS INTERNATIONAL CM556, B4.5, B4.5 CM2350 B129B, B4.5 CM2350 B146C, B4.5 CM2350 B147B, B4.5 RGT, B4.5S, B5.9 G, B5.9 GAS PLUS CM556, B5.9 LPG, B5.9 LPG PLUS CM556, B6.7 CM2350 B121B, B6.7 CM2350 B135B, B6.7 CM2350 B136C, B6.7 CM2350 B148B, B6.7 G CMOH6.0 B125, B6.7N CM2380 B150B, B6.7S, F3.8 CM2350 F120B, F3.8 CM2350 F128C, F3.8 CM2350 F132B, F3.8 F102, G3.9, G5.9, G5.9 CM558, ISB (CHRYSLER), ISB CM2150, ISB CM2150 E, ISB CM550, ISB CM850, ISB/ISD4.5 CM2150 B119, ISB/ISD4.5 CM2150 SN, ISB/ISD6.7 CM2150 B120, ISB/ISD6.7 CM2150 SN, ISB/ISD6.7 CM2880 B126, ISB3.9 CM2220 B107, ISB4.5 CM2150, ISB5.9G CM2180, ISB6.7 2010 DCX PICKUP, ISB6.7 2013 DCX CHASSIS CAB, ISB6.7 CM2150 SQ, ISB6.7 CM2250, ISB6.7 CM2350 B101, ISB6.7 CM2350 B103, ISB6.7 CM2350 B142, ISB6.7 CM2670 B153B, ISB6.7 G CM2180 B118, ISBE CM2150, ISBE CM800, ISBE2/ISBE3 CM850, ISBE4 CM850, ISD4.5 CM2150, ISD6.7 CM2880 D101, ISF2.8 CM2220, ISF2.8 CM2220 AN, ISF2.8 CM2220 EC, ISF2.8 CM2220 ECF2, ISF2.8 CM2220 F101, ISF2.8 CM2220 F117, ISF2.8 CM2220 F122, ISF2.8 CM2220 F126, ISF2.8 CM2220 F129, ISF2.8 CM2220 IAN, ISF3.8 CM2220, ISF3.8 CM2220 AN, ISF3.8 CM2220 F103, ISF3.8 CM2220 F110, ISF3.8 CM2220 F116, ISF3.8 CM2220 F134B, ISF3.8 CM2220 IAN, ISF3.8 CM2350 F109, ISF4.5 CM2220 F123, ISG11 CM2880 G106, ISG11 CM2880 G108, ISG12 CM2880 G107, ISG12 CM2880 G109, ISG12 G CMOH6.0 G111, QSB3.9 30 CM550, QSB3.9 CM2880 B138, QSB4.5 30 CM550, QSB4.5 CM2150 B108, QSB4.5 CM2250 B131, QSB4.5 CM2250 EC, QSB4.5 CM2350 B106, QSB4.5 CM2350 B122			



SMALL | MEDIUM | LARGE

Cart	Ref No	Part Number	Part Description	Required	Remarks
View My Cart					
		BP97149-12	Cylinder Block		Cylinder Block...(More)
					Engine Family: B Series
					Cylinders: 6
					Aspiration: Naturally
					Aspirated
					Fuel Type: Diesel
					Tapped Fittings: STORM
					Expansion plug 3007635 may be
					used in

					Brazil applications in place
					of 3914035.
					For use with Encore block in
					place of BP9790. CNS may use
					3900965 Expansion Plug in
					place of 3922072 Expansion
					Plug.
<input type="checkbox"/>		3935943	Cylinder Block		
<input type="checkbox"/>		3935936	Cylinder Block	1	Service Block Kit PN 3935943
<input type="checkbox"/>	1	3935937	Cylinder Block	1	
<input type="checkbox"/>	2	3940059	Bushing	1	
<input type="checkbox"/>	3	3927948	Fracture Resistant Screw	14	
<input type="checkbox"/>		3974157	Main Bearing Cap	7	
	4	3974156	Main Bearing Cap	1	
<input type="checkbox"/>	5	3900068	Ring Dowel	2	
<input type="checkbox"/>	6	3914035	Expansion Plug	4	
<input type="checkbox"/>	7	3900956	Expansion Plug	3	17.73 mm
<input type="checkbox"/>	8	4938189	Expansion Plug	5	
<input type="checkbox"/>		3804933	Cylinder Block Hardware Kit	1	Encore B
<input type="checkbox"/>	2	3940059	Bushing	1	
<input type="checkbox"/>	5	3900068	Ring Dowel	2	
<input type="checkbox"/>	9	3902343	Ring Dowel	2	
<input type="checkbox"/>	10	3937214	Piston Cooling Nozzle	6	
<input type="checkbox"/>	11	3900687	Expansion Plug	1	
<input type="checkbox"/>	12	3900257	Pin Dowel	2	
<input type="checkbox"/>	13	3008468	Pipe Plug	1	1/2 NPT.
<input type="checkbox"/>		3678923	Threaded Plug	3	M10 X 1.00 X 13.5
<input type="checkbox"/>	14	3678924	Threaded Plug	1	M10 X 1.00 X 13.5
<input type="checkbox"/>	15	3678925	O-Ring Seal	1	M10.

<input type="checkbox"/>	16	3920706	Expansion Plug	2	
<input type="checkbox"/>	17	3900955	Expansion Plug	3	
<input type="checkbox"/>	18	3900958	Expansion Plug	1	
<input type="checkbox"/>		3678921	Threaded Plug	1	M14 X 1.5 X 16
<input type="checkbox"/>	19	3678912	O-Ring Seal	1	M14
	20	3678922	Threaded Plug	1	M14 X 1.5 X 16
<input type="checkbox"/>	21	3926047	O-Ring Seal	1	
<input type="checkbox"/>	22	3008469	Pipe Plug	1	3/4 NPT
<input type="checkbox"/>	23	3900629	Hexagon Flange Head Cap Screw	1	M8 X 1.25 X 16
<input type="checkbox"/>		3932296	O-Ring Plug	1	
<input type="checkbox"/>	24	3330478	O-Ring Seal	1	
	25	3932290	O-Ring Plug	1	
<input type="checkbox"/>	26	3904166	Salvage Sleeve	A/R	